

# EasyLED Backlights

Ergonomic and compact illumination system for stereo microscopy and macroscopy



Transmitted Light Stage

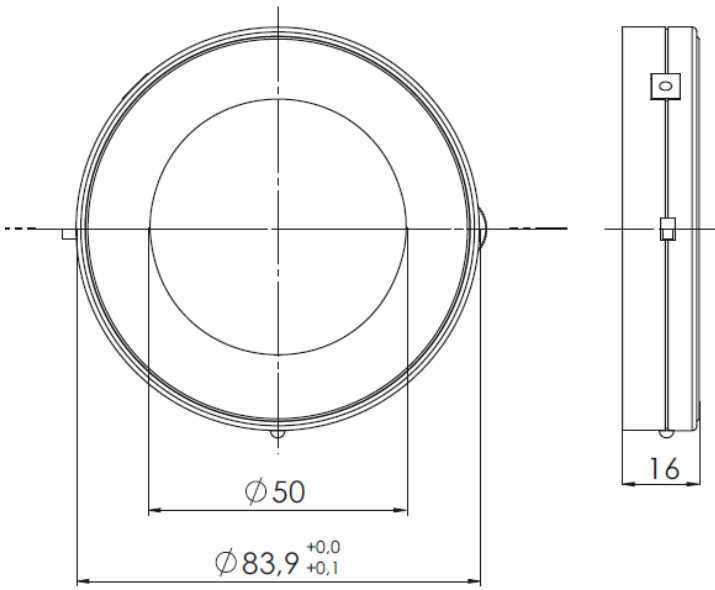
## Features

- No separate controller box
- Ergonomic operating (not necessary to remove eyes from the eyepieces).
- Continuous dimming from 0 to 100%.
- All devices are separately dimmable.
- Wide input range power supply (100 - 240 V).
- World wide plug (clip system).
- Low costs for high quality and functionality.

Transmitted Light Stage		Illuminated area	Max. luminance	Adaption Ø	
Transmitted Light Stage	600 400	50 mm (1.97")	12,000 cd/m <sup>2</sup>	84 mm (3.31")	12 V, DC

Adaptors for Transmitted Light Stage	
Ø 84 mm to Ø 100 mm	157 600
Ø 84 mm to Ø 120 mm	157 610
Ø 84 mm to Ø 180 mm	157 620
Ø 84 mm to Ø 90 mm	157 630

# EasyLED Backlights



EasyLED Transmitted Light Stage

All specifications are subject to change without prior notice. This datasheet or any extracts thereof may only be used in other publications with express permission of SCHOTT. © SCHOTT North America, Inc.

SCHOTT North America, Inc.  
**Lighting and Imaging**  
122 Charlton Street  
Southbridge, MA 01550 USA  
phone: +1-508-765-3211  
fax: +1-508-764-6273  
lightingimaging@us.schott.com  
www.us.schott.com/lightingimaging

**SCHOTT**  
glass made of ideas